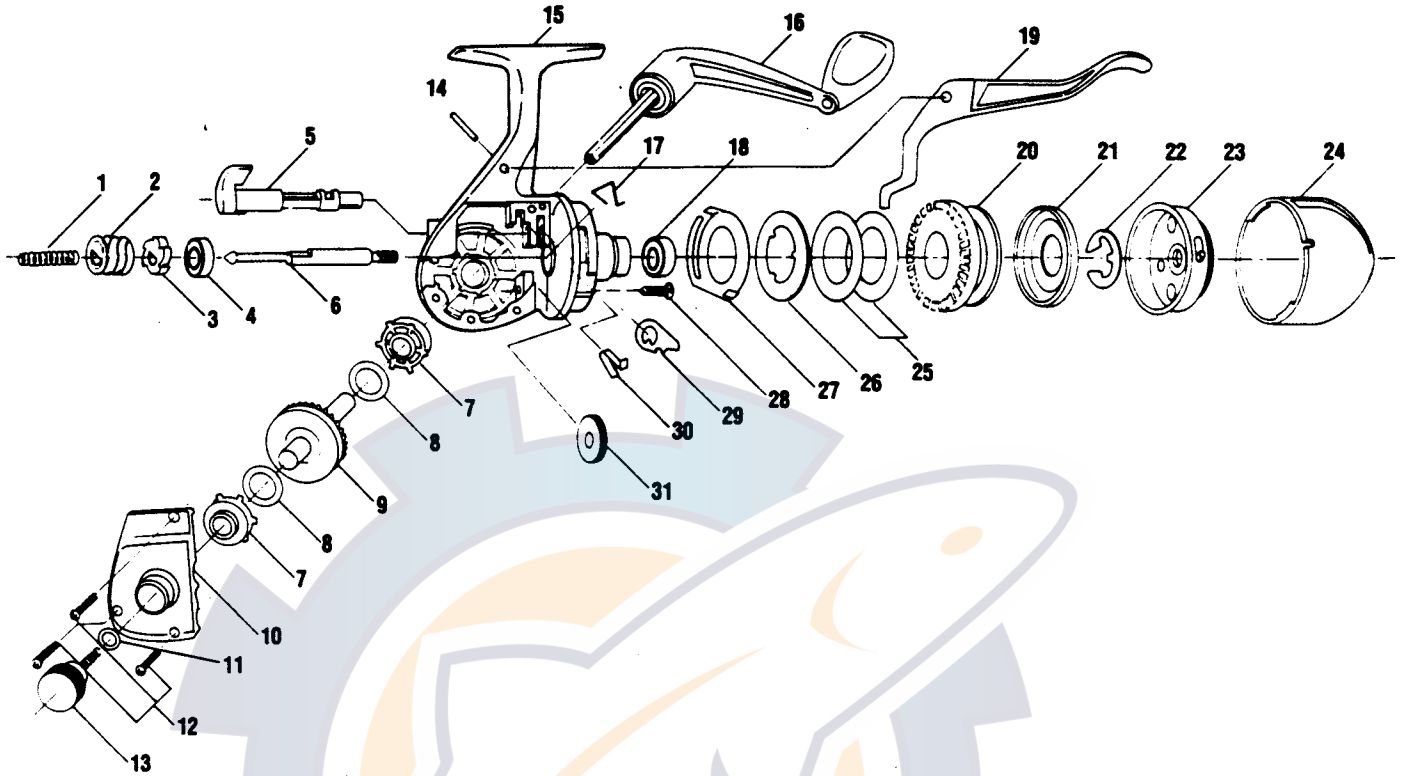


QUANTUM MT1



| Key No. | Part No. | Description | Price | Key No. | Part No. | Description | Price |
|---------|----------|--------------------------|-------|---------|----------|-----------------------|-------|
| 1 | BJ020 | Center Shaft Spring | .36 | 16 | VE318 | Crank Handle Assembly | 4.50 |
| 2 | VE011 | Pinion | 3.35 | 17 | VE061 | Anti-Reverse Actuator | .95 |
| 3 | VE091 | Anti-Reverse Ratchet | .40 | 18 | KE317 | Bearing Assembly | 1.65 |
| 4 | BJ017 | Center Shaft Bearing | 5.90 | 19 | TE350-2 | Trigger Assembly | 2.63 |
| 5 | VE002 | Anti-Reverse Switch | .95 | 20 | BE321-4 | Spool Assembly | 4.54 |
| 6 | VE015 | Center Shaft | 2.75 | 21 | BE036 | Spool Lip | 1.23 |
| 7 | VE026 | Crank Gear Bushing | 1.75 | 22 | XZ034 | Spool Clip | .33 |
| 8 | VE106-2 | Shim, Crank Gear .004 | .20 | 23 | BE310-2 | Spinner Head Assembly | 4.73 |
| 8 | VE106-3 | Shim, Crank Gear .002 | .20 | 24 | VE324 | Front Cover Assembly | 4.00 |
| 9 | VE012 | Crank Gear | 1.50 | 25 | BJ108 | Flat Washer (Drag) | .38 |
| 10 | VE023 | Body Cover | 1.15 | 26 | BJ040 | Spool Washer | .56 |
| 11 | VE107 | Washer, Handle Screw Cap | .10 | 27 | BJ027 | Clutch Ring | 1.36 |
| 12 | VE126 | Screw, Body Cover | .10 | 28 | BJ054-2 | Clutch Screw | .66 |
| 13 | VE068 | Handle Screw Cap | .75 | 29 | VE060 | Anti-Reverse Pawl | .85 |
| 14 | VE172 | Pin (Trigger) | .15 | 30 | VE030 | A/R Switch Spring | .20 |
| 15 | VE301 | Body Assembly | 9.75 | 31 | BJ032 | Clutch Wheel | .85 |

Prices subject to change without notice. Prices do not include postage and handling.

PLEASE ORDER BY PART NUMBER

Rev. 5/93

Zebco Division Brunswick Corporation, Box 270, Tulsa, OK 74101 USA 918-836-5581

